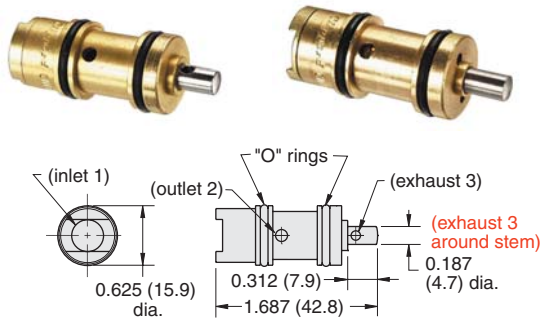


J-Series Poppet Cartridge Valves



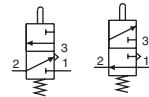
Input Pressure: 300 psig

Air Flow: 11 scfm @ 50 psig; 22 scfm @ 100 psig

Force For Full Stem Travel: 38 oz. nominal

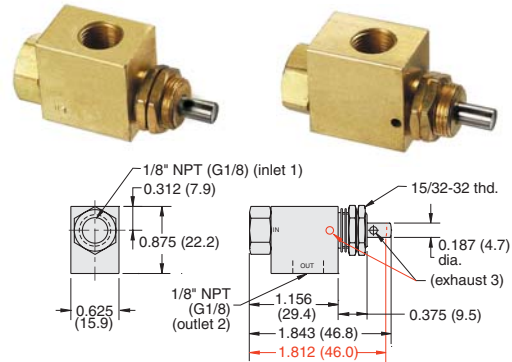
Mounting: Inserts into a 5/8" bore (0.625" ±0.001")

Note: See page 118 for mounting details



Part No.	Description
<u>MJV-3C</u>	3-Way Normally-Closed Poppet Cartridge Valve
<u>MJVO-3C</u>	3-Way Normally-Open Poppet Cartridge Valve

J-Series 3-Way Poppet Valves

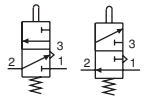


Input Pressure: MJV-3/MJV-3-MG - 300 psig/21 bar max.
MJVO-3/MJVO-3-MG - 150 psig/10 bar max.

Air Flow: 14.0 scfm @ 50 psig; 25 scfm @ 100 psig;
600 l/min @ 6 bar

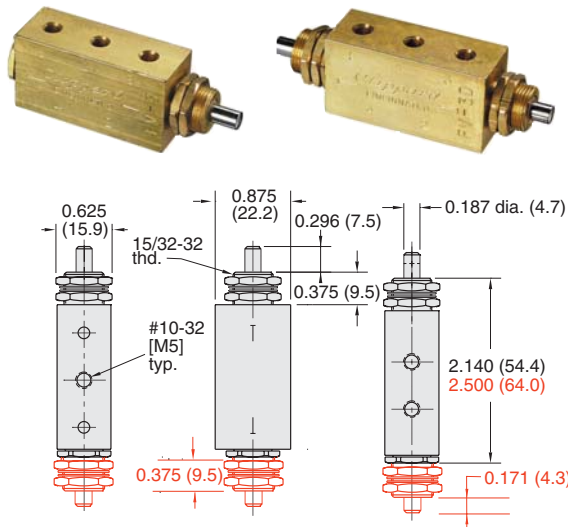
Force For Full Stem Travel: 38 oz. nominal

Mounting: 15/32-32 thread. Nuts and lockwashers furnished.



Part No.	Description
<u>MJV-3</u>	Normally-Closed Valve with Spring Return, 1/8" NPT
<u>MJV-3-MG</u>	Normally-Closed Valve with Spring Return, G1/8
<u>MJVO-3</u>	Normally-Open Spool Valve, 1/8" NPT
<u>MJVO-3-MG</u>	Normally-Open Spool Valve, G1/8

FV-Series 3-Way Spool Valves



Input Pressure: Vacuum to 150 psig/10 bar max.

Air Flow: 6 scfm @ 50 psig; 10 scfm @ 100 psig;
240 l/min @ 6 bar

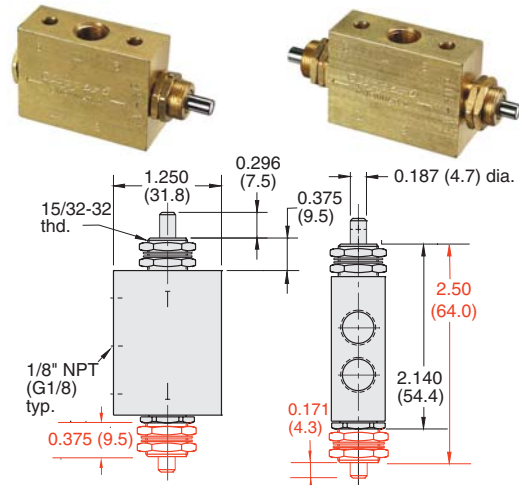
Force For Full Stem Travel: FV-3 & FV-3-M5 - 4 1/2 pounds nominal.
FV-3D & FV-3D-M5 - 1 1/2 pounds nominal

Mounting: 5/32-32 thread. Nuts and lockwashers furnished.



Part No.	Description
<u>FV-3</u>	3-Way Spool Valve, #10-32
<u>FV-3-M5</u>	3-Way Spool Valve, M5
<u>FV-3D</u>	3-Way Two Position Spool Valve, #10-32
<u>FV-3D-M5</u>	3-Way Two Position Spool Valve, M5

FV-Series 3-Way Spool Valves



Input Pressure: Vacuum to 150 psig/10 bar max.

Air Flow: 6.5 scfm @ 50 psig; 10.5 scfm @ 100 psig;
240 l/min @ 6 bar

Force For Full Stem Travel: FV-3P & FV-3-MG - 4 1/2 pounds nominal.
FV-3DP & FV-3D-MG - 1 1/2 pounds nominal

Mounting: 5/32-32 thread. Nuts and lockwashers furnished.



Part No.	Description
<u>FV-3P</u>	Spool Plunger Actuated Spring Return Valve, 1/8" NPT
<u>FV-3-MG</u>	Spool Plunger Actuated Spring Return Valve, G1/8
<u>FV-3DP</u>	Spool Double Plunger 2 Position Valve, 1/8" NPT
<u>FV-3D-MG</u>	Spool Double Plunger 2 Position Valve, G1/8